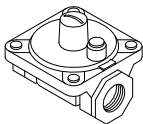
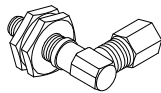
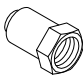

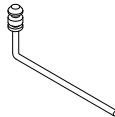
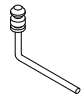
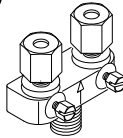


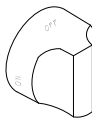
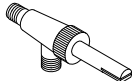
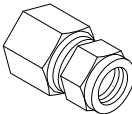
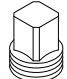


<p>1</p>  <p>REGULATOR</p>	<p>3</p>  <p>ORIFICE ELBOW</p>	<p>5</p>  <p>ORIFICE HOOD</p>	<p>6</p>  <p>AIR SHUTTER</p>	<p>10</p>  <p>PILOT TIP (LONG) ASSEMBLY</p>	<p>11</p>  <p>PILOT TIP (SHORT) ASSEMBLY</p>	<p>15</p>  <p>3/16" DUAL PILOT VALVE</p>
<p>16</p>  <p>SPEED NUT</p>	<p>17</p>  <p>AMERICAN NAME PLATE</p>	<p>19</p>  <p>BLACK ON/OFF KNOB</p>	<p>21</p>  <p>GAS VALVE</p>	<p>22</p>  <p>3/8 ADAPTER FITTING</p>	<p>23</p>  <p>1/8" PLUG</p>	

SUHP - Step-Up Hot Plate

ITEM NO.	PART NO.	DESCRIPTION	
1	A80110	Valve, Pressure Regulator 3/4 10480 Nat Gas Set 5.	
	A80011	Valve, Pressure Regulator 3/4 10481 LPG Gas Set 10.0	
2	A53025	Tubing, Aluminum 3/8" (sold per foot)	
3	A24000	Elbow, Orifice Mixr 3/8C-3/8-27 10442	
5	A29000	Hood, Orifice #39 1/2" Brass 11039 Nat Gas	
	A29003	Hood, Orifice #53 1/2" Brass Flat Head/ MSD LPG Gas ARROB	
6	A14037	Air Shutter, 2" 10464	
7	A14025	Burner, Venturi Short Only 10446	
8	A14023	Burner, Head Lift Off	
9	A17000	Grates, Top 12" x 12" (150) 10450-12	
10	A29222	Pilot Tip, Assembly SUHP Rear Burner	
11	A29230	Pilot Tip, Assembly SUHP Front Burner	
15	A29301	Valve, Dual Gas Pilot 1/8 x 3/16C	
16	A44003	Nut, Speed #6 Push Black 10601	
17	A38000	Name Plate, American Range 8" 10499 Quality Commercial Chrome	
19	A32001	Knob, Gas On/Off Glossy Black Flat Down	
21	A80109	Valve, Gas Manual On/Off UL 10419, AR, ARKB, ARRB, AECB	
22	A28002	Connector Male 3/8CC x 1/8 MPT 10014 Compression Fitting	
23	A23010	Plug, 1/8" Pipe Hex Black All Manifolds	
24	A99530	Crumb Tray, 12" ARHP 1026-12	
	A99531	Crumb Tray, AR 24"/ARHP-24 1026-24	
	A99532	Crumb Tray, 36" AR-6/ARHP-36 1026-36	
	A99533	Crumb Tray, ARHP-48" SUHP-48" 1026048 AR-8 Ranges	
26	A35011	Leg, 4" Adjustable Flanged NSF Stainless	
	A35100	Leg, Set (4) 4" Adjustable with Flange Stainless NSF	